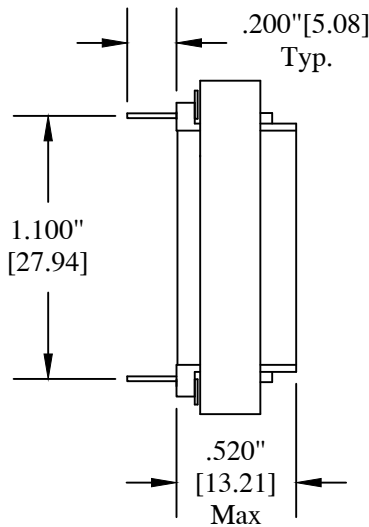
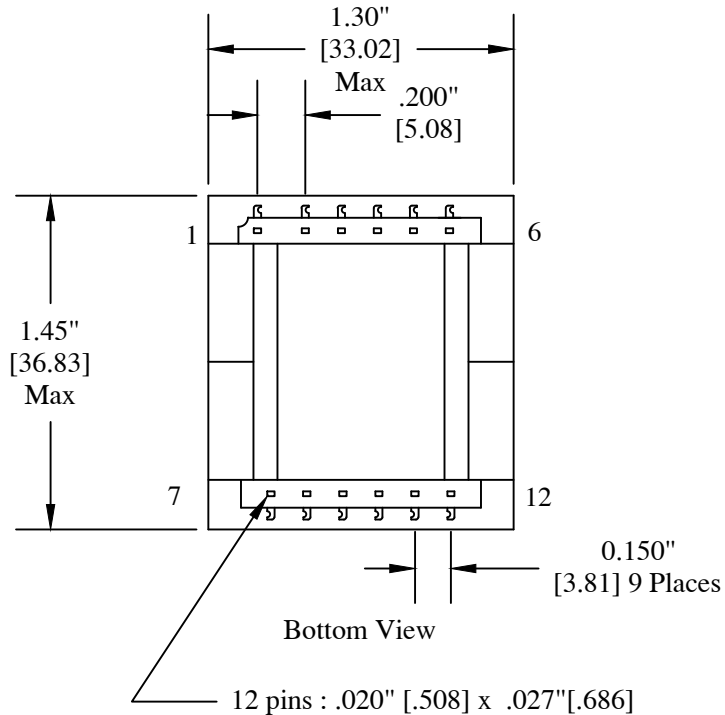


- VOICE & DATA APPLICATIONS.
- DESIGNED FOR WET (60mA DC) CIRCUITS.
- IMPEDANCE RATIOS OF 600 Ω : 600 Ω .
- LOW PROFILE <.525"/13.34mm.
- UL RECOGNIZED COMPONENT - UL 1863, FILE E138250.

REVISIONS			
DATE	REV	DESCRIPTION	APPV'D
6/02/97	-1	THD was 3%, Delete .72 ref dim.	Tjk
03/28/16	-2	Updated entire drawing, added millimeters	Tjk

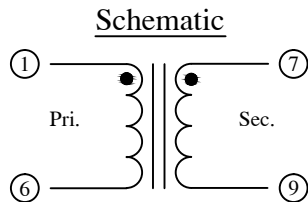


Electrical Parameters:

Primary Impedance: 600Ω
 Secondary Impedance: 600Ω
 Turns Ratio: 1 : 1 +/- 2%
 Primary D.C. Resistance : 75Ω +/- 10%
 Secondary D.C. Resistance : 80Ω +/- 10%
 Maximum unbalance D.C. Current : 60mA
 Dielectric Strength 1500Vrms : Pri - Sec - Core
 Frequency Response 300Hz - 3500Hz: +/- 0.5dB
 Insertion Loss: 2.00dB Reference @1KHz
 ERL : 16.5dB Minimum
 Primary Return Loss : 12.0dB minimum @300Hz
 THD @0dBm 300Hz: -53dB typical @ 0dBm
 Longitudinal Balance: 60dB min per IEEE 455-1985

Reflected Z = 710 Ohms Ref @1KHz, 70mA DC/Primary & 600 ohm RL/Sec

All dimensions are reference unless otherwise specified.



		CUSTOM ENGINEERING MAGNETIC COMPONENTS Johnsburg, Illinois 3521 N. Chapel Hill Rd. / McHenry, Illinois 60051	
SCALE: None	APPROVED BY:		DRAWN BY TJK
DATE: 03-28-2016			REVISED
Audio/Telephony Transformer p/n SPT-189			
			DRAWING NUMBER
			B-SPT-189-2